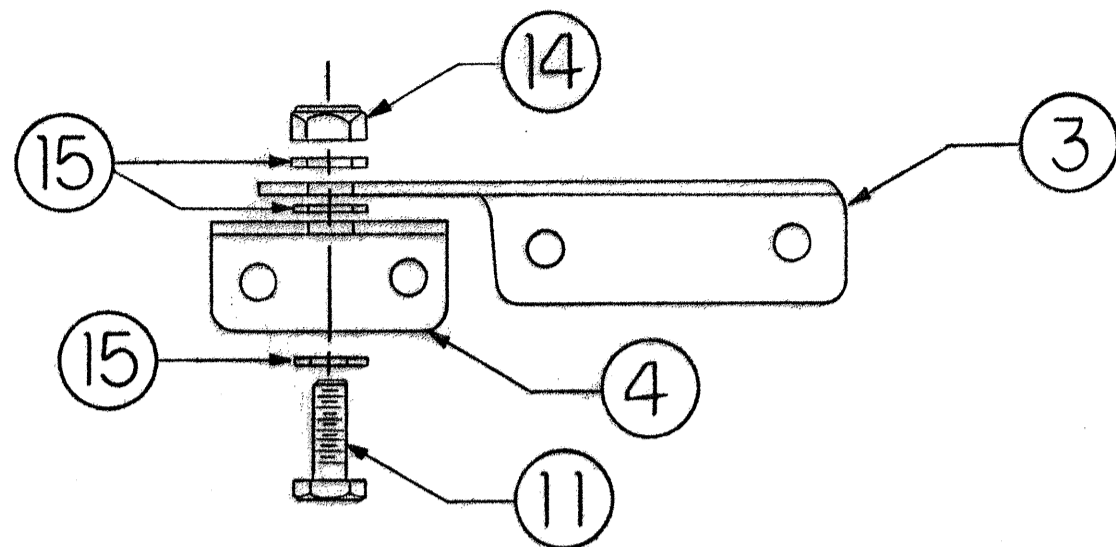
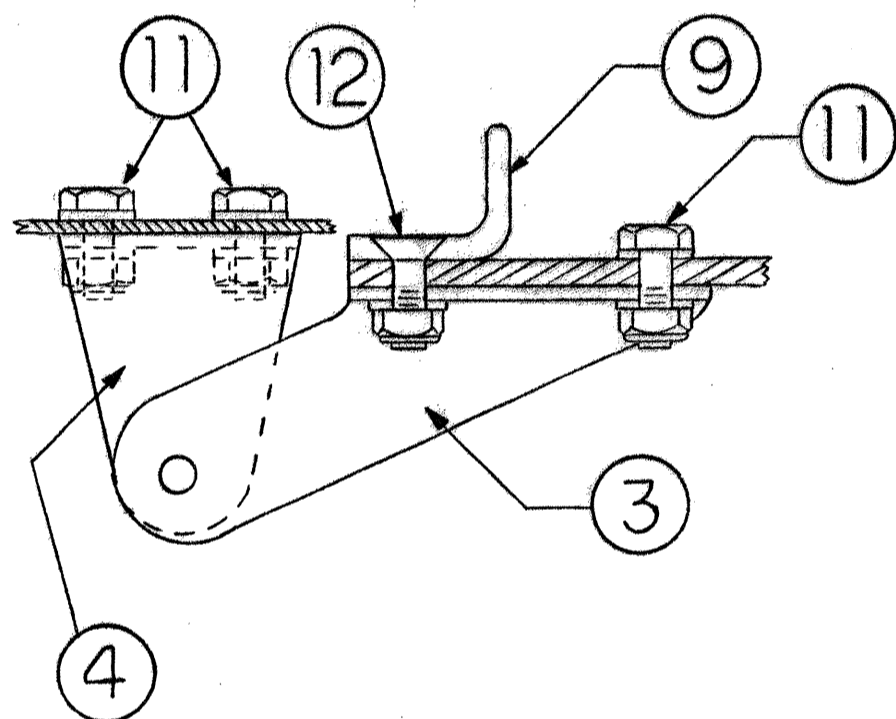


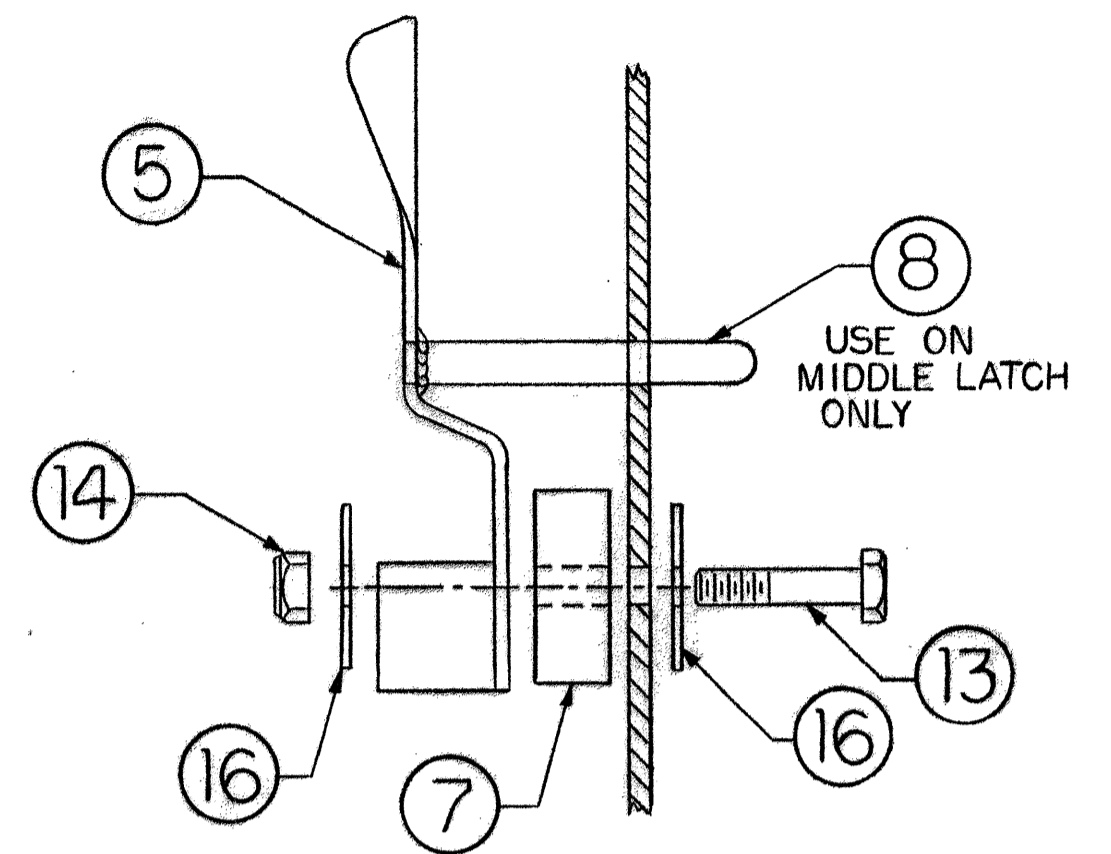
SIDE VIEW  
BODY AND DOOR HINGES



TOP VIEW  
BODY AND DOOR HINGES



LATCH INSTALLATION

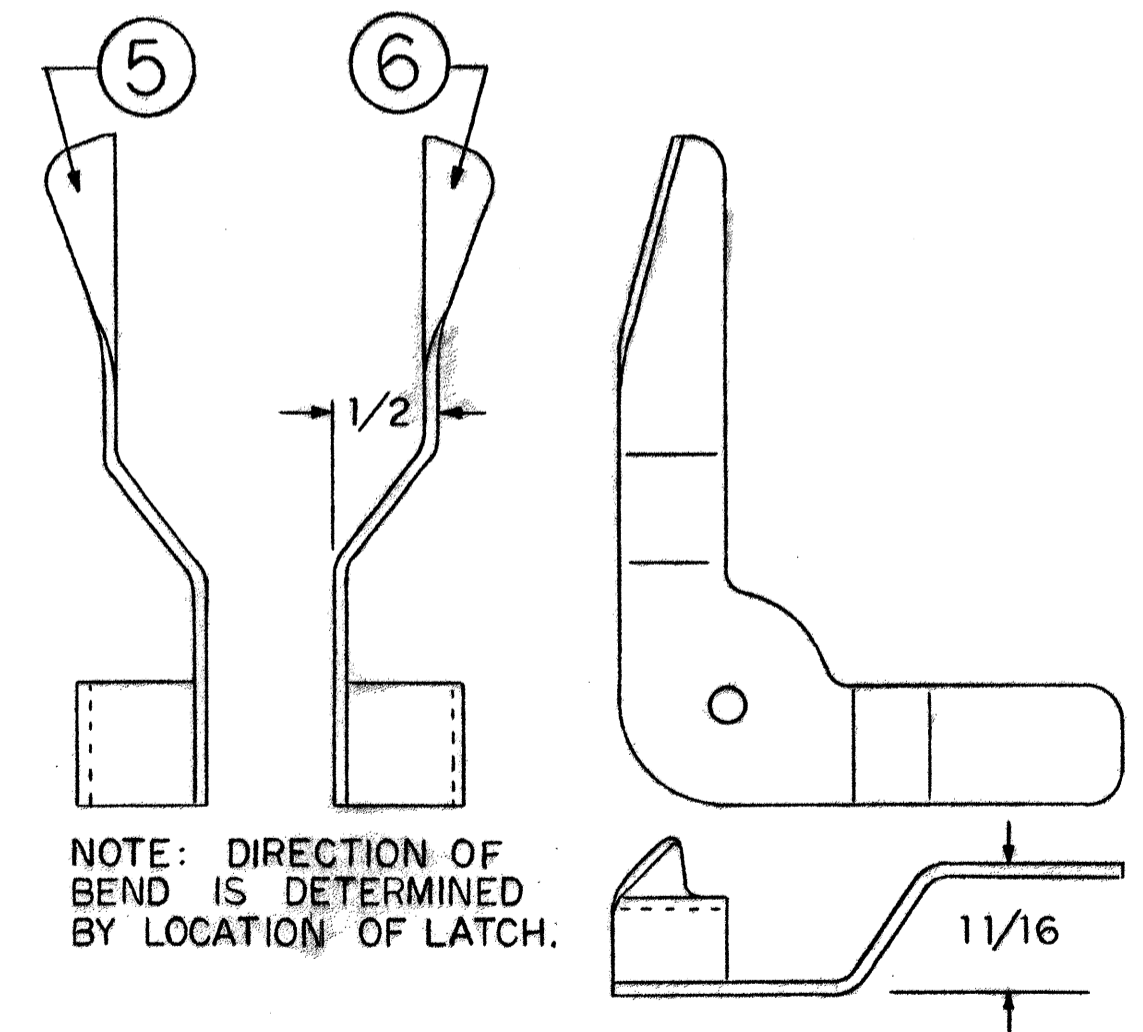


POSITION 6 INCHES  
FORWARD OF SEAM  
WHERE WINDSCREEN  
MEETS BODY

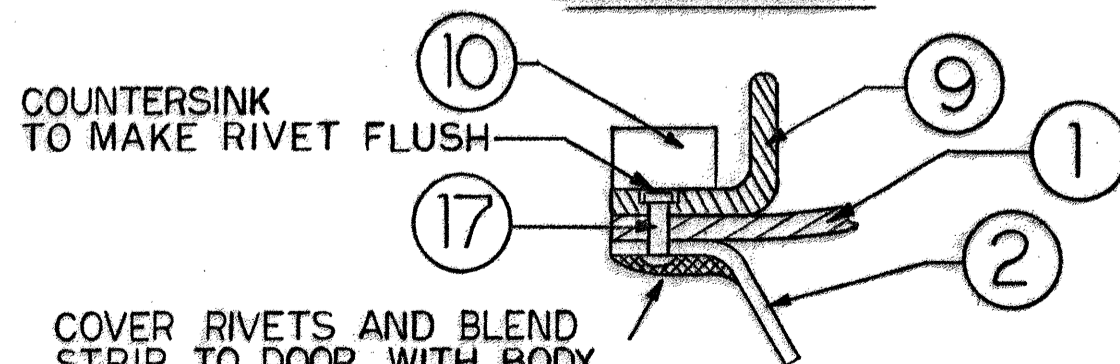
CUT SLOT IN DOOR  
FOR OUTSIDE  
DOOR LATCH PIN  
(THIS LATCH ONLY)

POSITION 2 INCHES  
BELOW BODY SEAM

DOOR LATCHES



SECTION A-A



COVER RIVETS AND BLEND  
STRIP TO DOOR WITH BODY  
FILLER TO FORM A SMOOTH  
AERODYNAMIC SURFACE AT  
LEADING EDGE AND AT  
TOP AND BOTTOM.

REF. NO.	PART NO.	PART NAME	QTY.
1.	E41-7120	DOOR - PILOT'S SIDE.....	1
2.	E41-3130	STALL STRIP.....	2
3.	E41-3110	DOOR HINGE.....	4
4.	E41-3120	BODY HINGE.....	4
5.	E41-1170	DOOR LATCH LEFT.....	3
6.	E41-1180	DOOR LATCH RIGHT.....	3
7.	E41-2200	DOOR LATCH SPACER.....	6
8.	E41-3100	OUTSIDE DOOR LATCH PIN.....	2
9.	E41-7140	DOOR STIFFENER-PILOT'S SIDE..	1
10.	E41-1120	WEATHER STRIPPING (17 FT.)...	1
11.	E00-2300	BOLT 3/16 x 1/2.....	16
12.	E00-2302	SCREW 3/16 x 5/8 CSK.....	4
13.	E00-2304	BOLT 3/16 x 7/8.....	6
14.	E00-3301	3/16 FIBERLOCK NUT.....	26
15.	E00-4301	3/16 REGULAR WASHER.....	24
16.	E00-4302	3/16 LARGE WASHER.....	12
17.	E00-6206	ALUM. POP RIVET 1/8 x 1/4...12	

ROTORWAY INTERNATIONAL PHOENIX, ARIZONA		
SCALE: NONE	APPROVED BY: <i>D. King</i>	DRAWN BY WAR
DATE: 2-1-91		REVISED
DOORS		
		DRAWING NUMBER E41-2000